

Water to water cooler/ heat exchanger

Use: boiler room

Equipment classification (according to PED97/23/CE)

The cooler is using for capture of hot water to examine. The water is cooling bringing it up to environment temperature.

Cooling takes place through a cold water flow.

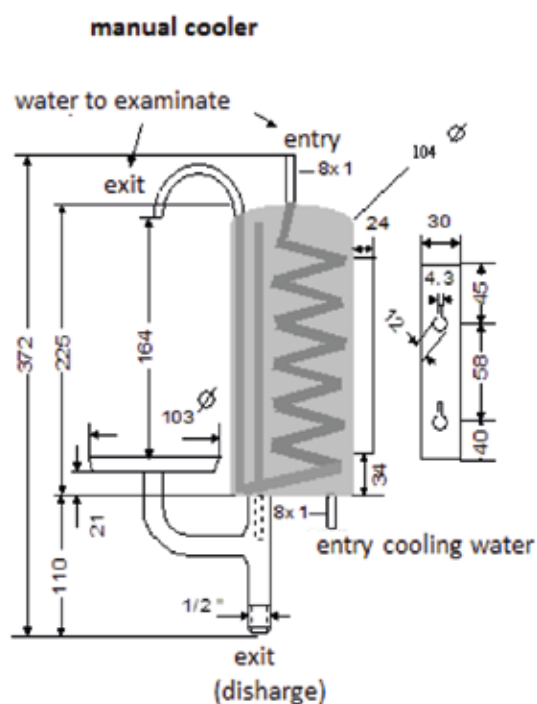
The water to cool is cooled by the flow of cold water.

Used to reduce the temperature of hot water before analyzing.

Models: "manual" model, destined to hot water sample for analysis with a testkit, and "automatic" destined to cool the water before water analyzer.

4 models available:

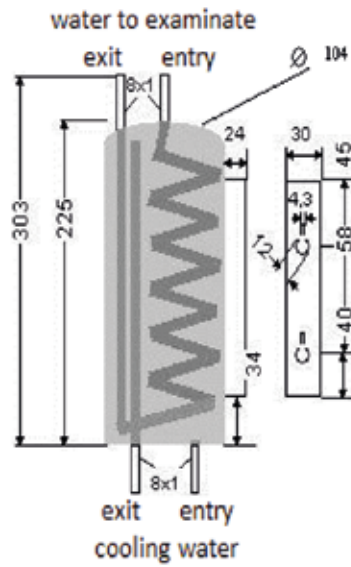
Art. 200035, small cooler, manual



Art. 200030, small cooler, for analyzers



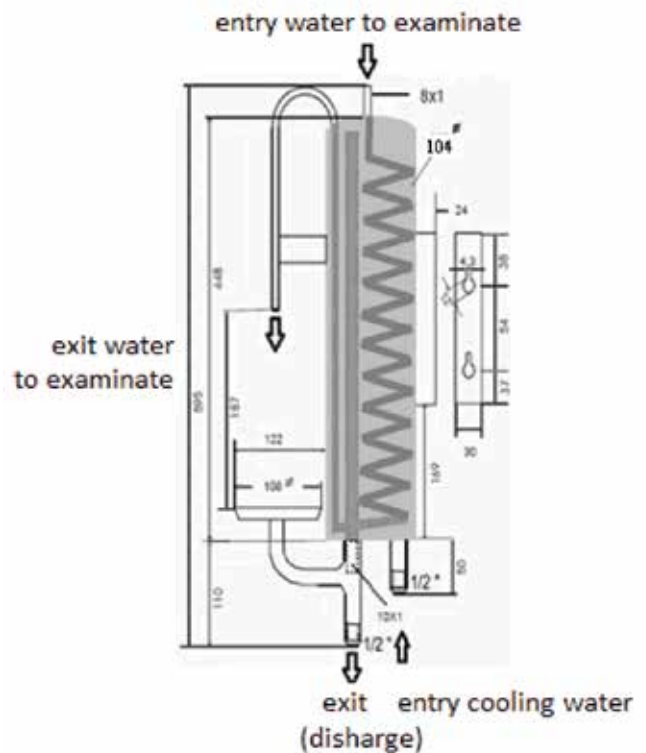
Automatic cooler



Art. 200042, big cooler, manual



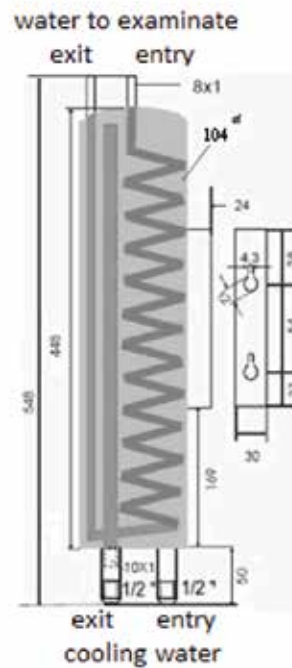
Big manual cooler



Art. 200031, big cooler for analyzers



Big automatic cooler



Capacity:

We must add: a regulation valve in entry to hot water to regulate the flow, and a regulation valve in entry to cold water.

Before drawing open the cooling valve than the valve of the water to cool. Regulate the valve of the cooling water according to the temperature of the water to examine, till the optimal environmental Temperature is achieved.

The cool service water is considered cooling water.

It is not possible to set neither a penstock valve in exit to the water to examine not in exit to the water to cool. The cooling water have not to have back-pressure

Flow regulation of the water:

Some analyzers(for example DUROMAT and DUROMAT Professional) can signalize before the analysis to open the electro-valve in entry to the cold water.

The continuous flow of the cold water is avoided in this way.

Technical data

	Manual	Manual Big	Automatic	Automatic Big
Code. Num	200037	200042	200030	200031
Max pressure of water to cool	16 bar	16 bar	16 bar	16 bar
Max pressure of cooling water	8 bar	8 bar	8 bar	8 bar
Hot water temperature	0 – 80 °C	0 – 120 °C	0 – 80°C	0 – 120°C
Dimension	375 x 150	110 x 150	375 x 128	110 x 128
Hydraulic link				
Cold water input	8 mm	½"	8 mm	½"
Cold water output (discharge)	½"	½"	8 mm	½"
Hot water input	8 mm	8 mm	8 mm	8 mm
Analysis water output	8 mm	8 mm	8 mm	8 mm
Length of cooling spiral	2,6 meters	5,1 meters	2,6 meters	5,1 meters
Weight (empty)	3,3 kg	4,0 kg	1,7 kg	2,3 kg
Material	Steel titanium AISI316Ti4, EN 1.4571 (mounting bracket :A1SI316L, EN 1.4404)			
Temperature Lowering	< 40°C (with cooling water < 25°C and a water flow to analyze approximate 12 ltr/h)			
Certification	PED 97/23/CE			
Fluide classification	Class 2-not dangerous fluid			
Equipment classification (according to PED97/23/CE)	Class A			

Further alterations are reserved in the interests of continuous technical improvements.